

Ideal for:  
Tyre Producers / Retreaders  
Tyre Distributors / Dealers  
Tyre Service  
Farmers / AGRO Workshops / OEM  
Ports

Easy  
**Gripper**  
2160

Save  
**time**  
Improve  
safety



## Professional tools for handling of AGRO tyres and small OTR

- Unique 3-point grip
- Horizontal/vertical tilt 90°
- Precise rotation +/-25°
- Prevent damage to tyres & rims
- Easy hook on/off attachment
- Customization available



Experts in Tyre Handling Equipment





# Easy Gripper

The Easy Gripper product range is designed to help tyre professionals in a multitude of conditions and situations. Implementing The Easy Gripper makes tyre handling faster and safer, while preventing damage to tyres, rims and equipment.

## Capability

With a gripping range of Ø2.160 mm (85") and a lifting capacity of 1 ton (2.200 lbs) at a CoG of 500 mm (20") this Gripper is developed to handle AGRO and light OTR tyres. On request the gripping diameter can also be extended to Ø2.400 mm (94") to handle even the biggest AGRO tyres.



## Manufacturers / dealers

Stack, store, load, unload and perform internal transportation with a safe grip of the tyres – and with no damage or deformation.

## Agriculture

Load and unload tyres and wheels – vertical and horizontal. Mount and dismount tyres and wheels – quick, safe, as a one-man operation and with no damages of rims and equipment.



## Ports

This Gripper is big enough to handle tyres and wheels on Straddle Carriers and some Reach Stackers. Grips the tyres with improved safety, and narrow space around tyres and fenders is no problem.

## Breakdown service

Used on front loaders, telehandlers or truck cranes you get a perfect solution to provide tyre service in the field. You can do the job without any equipment or assistance from your customer, do it faster and make a hard and risky work safe for your operators.



Forklifts



This version of the Gripper, equipped with the 90° tilt function, is ideal for use on forklifts.

Front loaders and telehandlers



The Compact version without the tilt box is a good choice if the carrier can provide sufficient tilt.

Truck cranes



By use of our crane module, the Gripper can also fit with almost any truck crane system.



## Standard features

### Unique and safe 3-point grip

Avoid accidents

Avoid deformation and damages of tyres  
Avoid damages of rims and of the equipment

Integrated IR-camera system for optimal view

Precise rotation +/-25°

Tilt function 90°, horizontal to vertical

## Optional features

### Quick Shift System

Easy hook on and off. Shift between Gripper and forks in less than half a minute.

### Easy shift of gripping pipes for various purposes

Flat top arm for narrow space  
Telescopic pipes for long reach or 2 tyres handling

### Tools for handling rings, to help tyre technicians with the hard and dangerous work

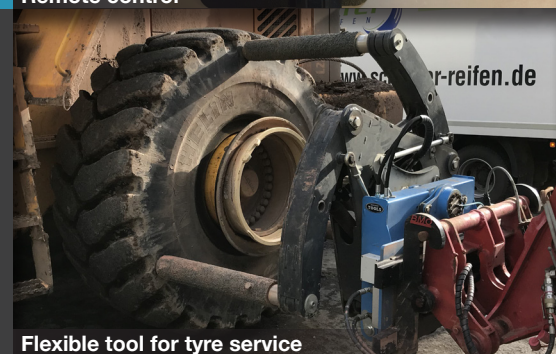
Can easily be attached at the end of the gripping pipes  
Can push the tyre and can hold and place the ring

LED working light

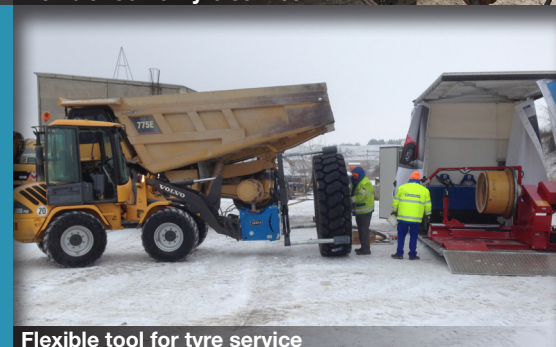
Customization on request



Remote control

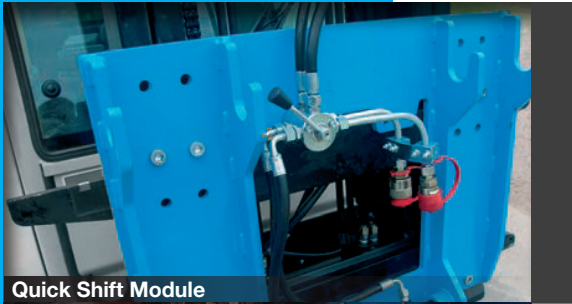


Flexible tool for tyre service



Flexible tool for tyre service





Quick Shift Module



Hydraulic Quick Shift



Fork Module



Telescopic arms



Flat arm for narrow fenders

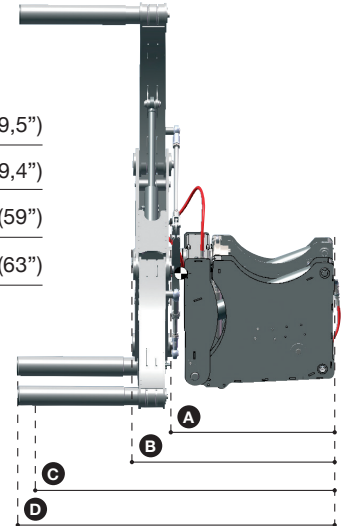


LED working light

### Technical Specifications

Weight:	550 kg (1.212 lbs)
Lifting capacity:	1.000 kg (2.200 lbs)
Tyre diameter:	1.200 - 2.160 mm (47-85")
Standard arms:	Ø 89 x 600 mm (3,5 x 23,6")
Telescopic arms up to:	1.375 mm (54")

- A** Cg Gripper = 750 mm (29,5")
- B** Rear of Load = 1.000 mm (39,4")
- C** Cg Load = 1.500 mm (59")
- D** Length = 1.600 mm (63")



### Technical Requirements of forklift or loader

Lifting capacity:	Individual calculation
Electrical:	12 V supply
Hydraulic:	1 double acting connection
Pressure min-max:	150-250 bar (2.175-3.626 psi)
Return pressure:	max. 10 bar (145 psi)
Flow:	max. 50 l/min. (13 gal/min.)

Authorized Dealer



+45 72 344 344  
 info@justeasytools.dk  
 www.justeasytools.dk  
 VAT no.: DK33644809

Just Easy Tools ApS  
 Nupark 51  
 DK-7500 Holstebro  
 Denmark